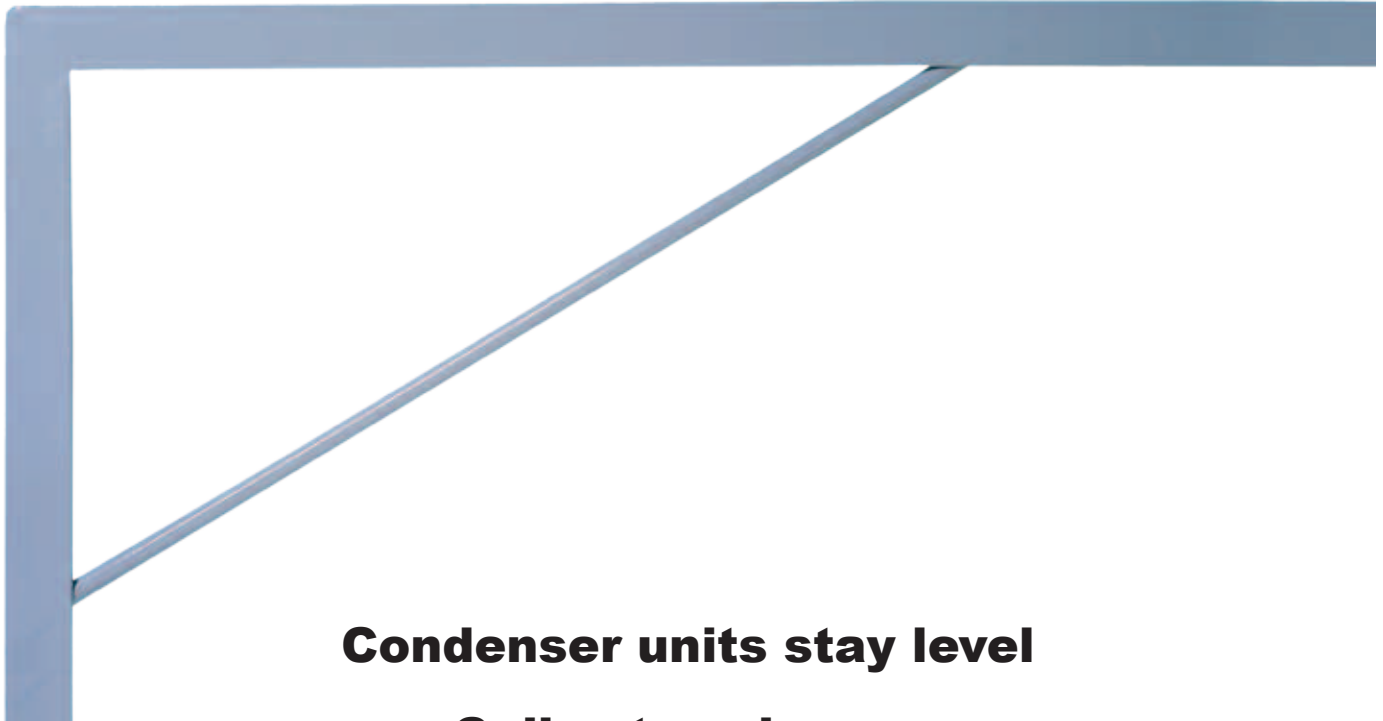


Bramec Bracket™

For Air-Conditioners & Heat-Pumps



Condenser units stay level

Coils stay cleaner

Can be mounted at any height

Easy maintenance under units

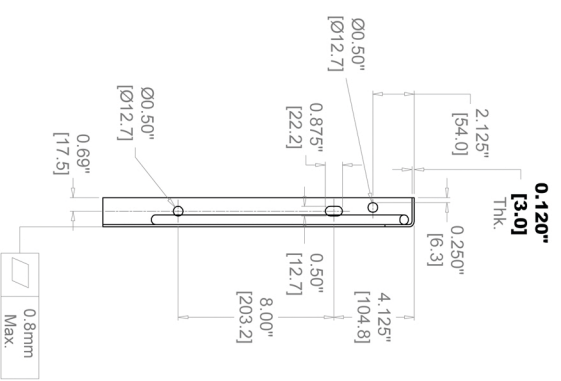
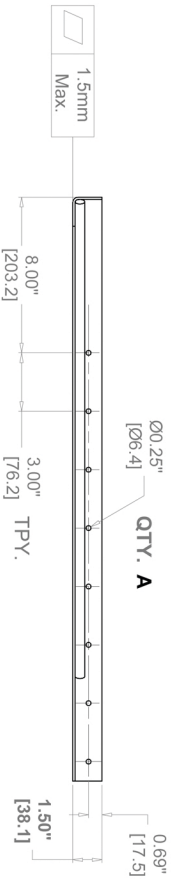
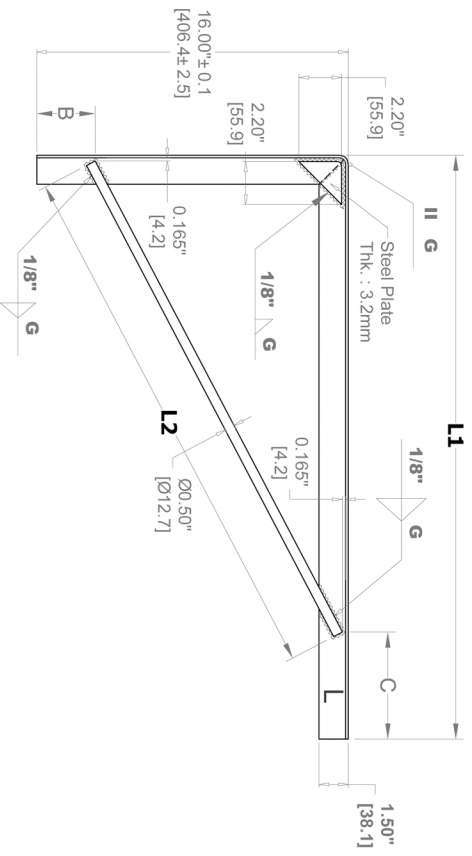
Less chance for coil fin damage

**Pre-punched holes allow units
to be fastened to brackets**

**No waiting for finished grade
to complete installation**

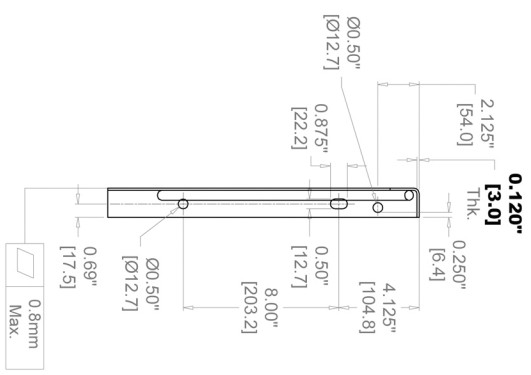
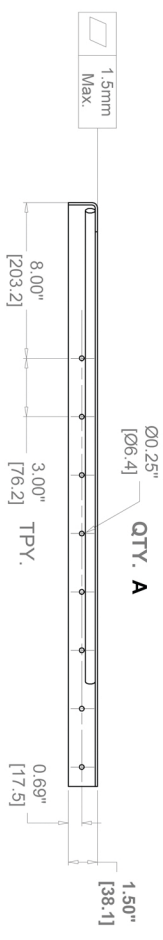
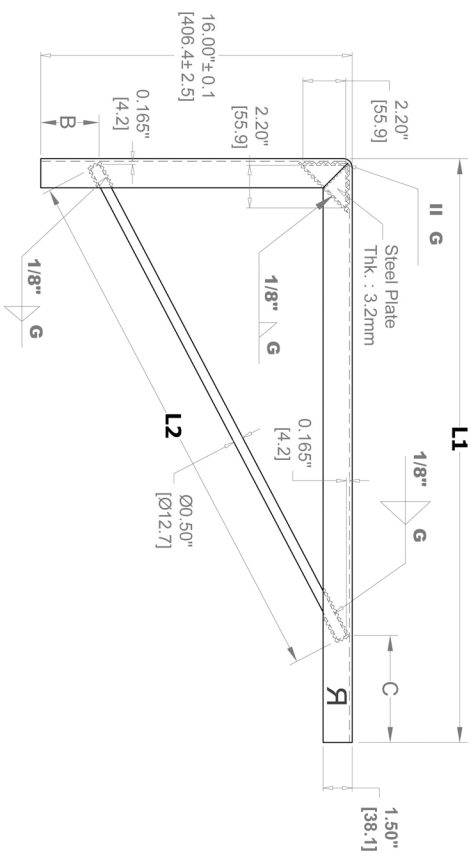
Boxed in corrugated cardboard carton

Four convenient sizes: 30", 36", 42", & 48"



Part Name	L1	L2 (Ref.)	A (QTY.)	B	C
30" Bracket L	30"±0.1"	27.33"	8	3.0"	5.5"
30" Bracket R	[762.0±2.5]	[694.1]		[76.2]	[139.7]
36" Bracket L	36"±0.1"	32.76"	10	3.0"	5.5"
36" Bracket R	[914.4±2.5]	[832.1]		[76.2]	[139.7]
42" Bracket L	42"±0.15"	38.36"	12	3.0"	5.5"
42" Bracket R	[1066.8±3.8]	[974.4]		[76.2]	[139.7]
48" Bracket L	48"±0.15"	44.07"	14	3.0"	5.5"
48" Bracket R	[1219.2±3.8]	[1119.3]		[76.2]	[139.7]

- Notes:
1. Material : 1020 or 1045 or Q235(China material) Hot Rolled; Raw material thickness: 2.8mm Min.
 2. Burrs must be less than 0.2mm
 3. Finished: Grey Powder Coating , Thickness is 0.06-0.1mm.
 4. Each Bracket must pass Min. 600 lbs pull test without bending; crack or welds broke
 5. All welds should be continues and Weld finish must meet ANSII/AWS2.1 or QP requirement



BRAMEC[®] BRACKET[™]

The Bramec Bracket is designed and manufactured to be used as a base for supporting air-conditioner condensers when installed in accordance with these instructions.

-- Professional Installation Required --

INSTRUCTIONS

The wall on which the Bramec Bracket is installed must be capable of supporting the weight of the air-conditioner condenser mounted on the Bramec Bracket. It is very important that the fasteners used are securely fastened and appropriate for the wall type. Attach the air-conditioner condenser unit to the Bramec Bracket by installing the appropriate fasteners using the holes that are provided. See illustration on reverse side for correct left and right mounting of the Bramec Bracket.

The size of the Bramec Bracket corresponds to the condenser unit size. Please allow a minimum of 6 inches or manufacturer's recommendations between the condenser unit and the wall.

It is recommended that vibration isolation be used between the air-conditioner condenser unit and the Bramec Bracket to reduce vibration and noise transmitted to the wall.

If you have any questions, please contact our customer service department at 1-800-843-9974 for assistance.

WARRANTY DISCLAIMER: THERE ARE NO WARRANTIES WHICH EXTEND BEYOND THE DESCRIPTION ON THE FACE HEREOF.

LIMITATION OF LIABILITY: Any liability for consequential and incidental damages is expressly disclaimed. Bramec's liability in all events is limited to, and shall not exceed, the value of the product. Bramec assumes no liability for failure of, or damage to the product due to improper installation, misuse or abuse of the product.

PRODUCT SUITABILITY: Many states and localities have codes and regulations governing sales, construction, installation and/or use of products for certain purposes, which may vary from those in neighboring areas. While Bramec attempts to assure that its products comply with such codes, it cannot guarantee compliance, and cannot be responsible for how the product is installed or used. Before purchase and use of a product, please review the product application, federal and local codes and regulations, and be certain the product, installation and use will be in compliance with any applicable codes and regulations.

NO WARRANTIES TO CONSUMERS: Bramec makes no warranties to those defined as consumers in the Magnuson-Moss Warranty-Federal Trade Commission Improvement Act.